

# Rear cabin oil tanks “VERTICAL” and their mounting kits

## Mounting kit 135903BSRX4

With a view to a constant improvement of the quality of our products and their adaptation to the technical equipment of the current ranges of industrial vehicles, we inform you that the mounting kits of the VERTICAL tank range have been improved by creating new fixing support.

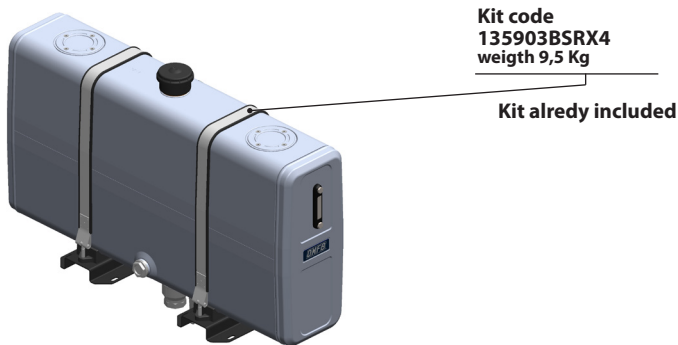
These changes asked the creation of new item reference.

<b>WAS (135903BSRX0)</b>		<b>BECOMES (135903BSRX4)</b>		
SEZIONE A-A		SEZIONE A-A		
<b>Spare parts</b>				
R1		R1	538200B52X1	Stainless steel straps for oil tank
R2		R2	50620001005	PVC protection for oil tank strap
R3		R3	50620500301	Protection support
R4		R4	538205BSRG0	Mounting brackets
R5		R5	13590105027	Screws and nuts kit
<b>Spare parts</b>				
R1		R1	538200B52X1	Stainless steel straps for oil tank
R2		R2	50620001005	PVC protection for oil tank strap
R3		R3	50620500301	Protection support
R4		R4	538205BSRG2	Mounting brackets
R5		R5	13590105027	Screws and nuts kit

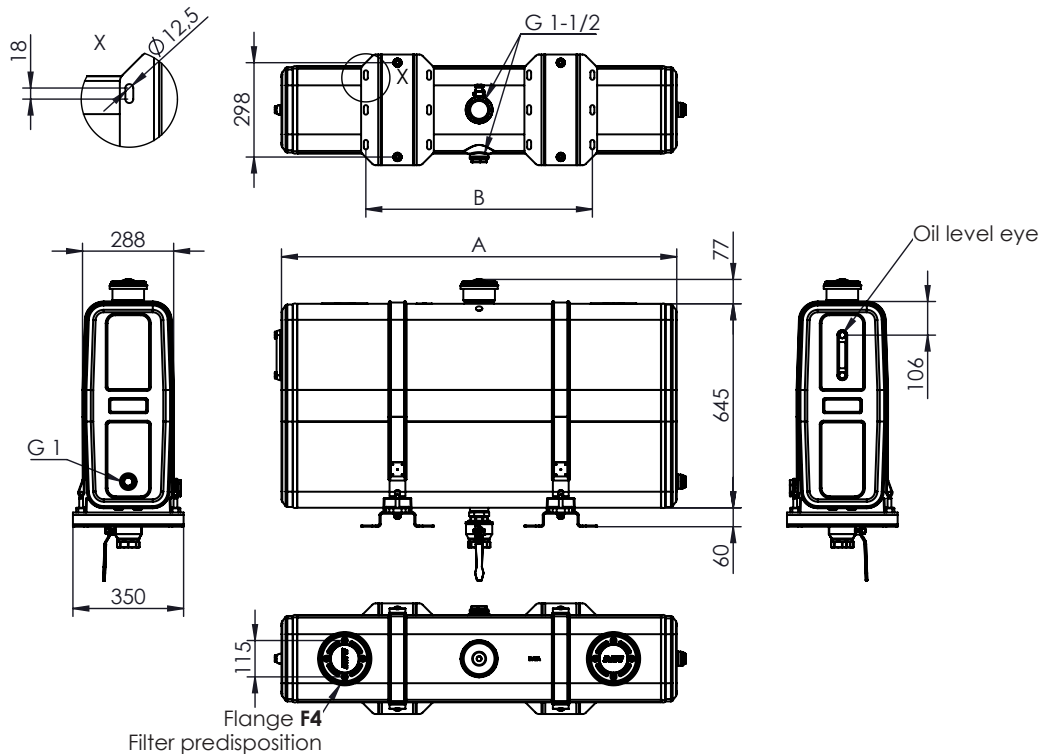
“VERTICAL” tank range

## Rear cabin oil tanks with 2 suction ports Family VERTICAL

We are pleased to inform you that our rear cabin oil tanks tanks range has been enriched by adding a new version with 2 suction ports and 2 return filter flanges.



ALUMINIUM		
Filling capacity	Tank code	Weight
		Kg
180	V2ARBS11522	40
200	V2ARBS12521	41
250	V2ARBS15021	44



	A mm	(recommended) B mm	Oil level min. oil capacity	Oil level max. oil capacity
180	1150	700	132 litri	157 litri
200	1250	720	143 litri	170 litri
250	1500	820	172 litri	205 litri

Our sales/technical office is available for any further information you might require.